



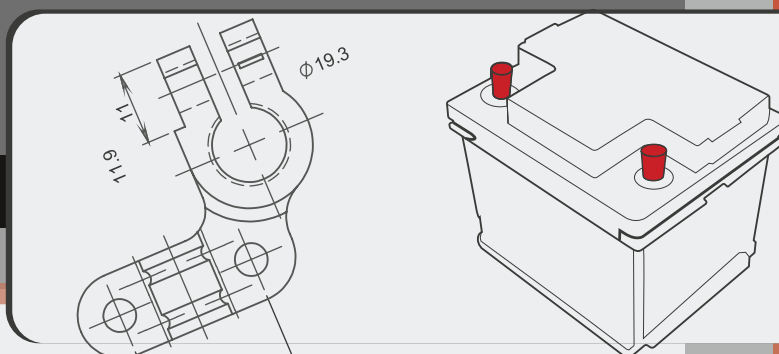
EXTRATECH 2001 (PTY) LTD
Member of the Redman Group

EXPORT CATALOGUE

BUY 'REDMAN' FOR QUALITY

SOLID BRASS BATTERY TERMINALS

- A wide range of battery terminals to suit all applications in the automotive and transport industry.
- Each terminal is cast from solid brass.
- We have a 30 year history of consistently manufacturing quality products.
- Excellent connectivity and long life guaranteed.
- Proudly manufactured in South Africa.
- On all electrical installations, advice from an electrical expert or auto-electrician is recommended.



No1 / No2

BATTERY TERMINAL OFFSET STANDARD POSITIVE & NEGATIVE

Features

- Solid brass
- Clamp type with yellow passivated bolts, nuts and screws
- Offset design plus steel strap
- Cable size 10 - 40mm²
- Fits battery poles on medium size motor vehicles
- + and - terminals clearly marked

Benefits

- For the use of standard motor vehicles
- Practical and easy to use
- Strap and screws allow for easy securing



N28 / N29

BATTERY TERMINAL OFFSET H/D POSITIVE & NEGATIVE

Features

- Fits battery poles on trucks, busses and heavy duty vehicles
- Cable size 25 - 60mm²
- Solid brass
- Clamp type with yellow passivated bolts, nuts and screws
- Offset design plus brass strap
- + and - terminals clearly marked
- Heavier design to last longer and carry relevant current

Benefits

- Trucks, busses and heavy duty vehicles
- Practical and easy to use
- Offset design allows ease of application without interference
- Strap and screws allow for easy cable securing



N16 / N17

BATTERY TERMINAL SMALL OFFSET POSITIVE & NEGATIVE

Features

- Fits battery poles on small range cars
- Cable size 10 -25mm²
- Solid brass
- Clamp type with yellow passivated bolts, nuts and screws
- Offset design plus steel strap
- + and - terminals clearly marked
- Lighter duty design to fit smaller vehicles

Benefits

- Small car range (1100cc and smaller)
- Practical and easy to use
- Offset design allows ease of application without interference
- Strap and screws allows for easy cable securing



EXTRATECH 2001 (PTY) LTD

Member of the Redman Group



N27

BATTERY TERMINAL - 4x4 TYPE

Features

- For use with Toyota Landcruiser/power boats
- M8 thread to fit a cable lug
- Secured by an M8 hex nut
- Solid brass
- Cable size 10 - 40 mm²
- Will fit positive or negative poles (U)
- Robust to carry current

Benefits

- Power boat use / off road use
- Certain types of motor vehicles
- Easy to install by securing the lug with an M8 port for easy fit on certain batteries



B13-20

BATTERY TERMINAL - 4x4 TYPE

Features

- For use on Toyota Landcruiser vehicle range
- M8 thread to fit a cable lug
- Secured by an M8 hex nut / wingnut
- Solid brass
- Cable size 10 - 40mm²
- Fits only positive pole
- Robust to carry current

Benefits

- Specifically designed to fit batteries on the Landcruiser range of cars
- Simple to install by securing the cable lug with an M8 hex nut, or wing nut



N27

MARINE TERMINAL UNIVERSAL (C/W WINGNUT)

Features

- For use on power boats and in boating industry
- M8 thread to fit a cable lug
- Secured by an M8 hex nut / wingnut
- Solid brass
- Cable size 10 - 40 mm²
- Will fit positive or negative poles (U)
- Robust to carry current

Benefits

- Power boat usage
- Wingnut makes it easy to remove cable lug especially in restricted spaces
- Easy to install



N25/N26

BATTERY TERMINAL H/D POSITIVE & NEGATIVE (MILITARY)

Features

- For use mainly on military vehicles
- Cable size 10- 25mm²
- Solid brass
- Side entry terminal
- Clamp type with yellow passivated bolt and nut
- + and - terminals clearly marked

Benefits

- Military vehicle use
- Easy to secure on + or - poles
- Offset design allows for ease of application without interference



EXTRATECH 2001 (PTY) LTD

Member of the Redman Group

N36-1/N37-1

BATTERY TERMINAL MAGNIS (1 STRAP) POSITIVE & NEGATIVE

Features

Benefits



- For use on heavy duty military vehicles & earth moving equipment.
- Cable size 40 -80mm²
- Solid brass
- Clamp type with yellow passivated bolts, nuts and screws
- Offset design
- + and - terminals clearly marked
- Heavy duty design and weight to carry relevant current.
- Single heavy duty brass strap to secure cable

- Military vehicle use
- Earth moving equipment use
- Easy to assemble onto battery and cable
- Long lasting robust design

N36-2/N37-2

BATTERY TERMINAL MAGNIS (2 STRAP) POSITIVE & NEGATIVE

Features

Benefits



- For use on extra heavy duty military vehicles and earth moving equipment.
- Cable size 40 - 80mm²
- Solid brass
- Clamp type with yellow passivated bolts, nuts and screws
- Offset design
- + and - terminals clearly marked
- Heavy duty design and weight to carry relevant current.
- Double heavy duty brass strap to secure cable.

- Use on military vehicle
- Use on earth moving equipment
- Easy to assemble onto battery and cable
- Long lasting robust design

N38/N39

BATTERY TERMINAL H/D MAURITIUS POSITIVE & NEGATIVE

Features

Benefits



- For use on a variety of heavy duty vehicles
- Cable size 16-40mm²
- Solid brass
- Tubular entry for cable to secure
- Bolts, nuts and screws supplied with yellow passivated
- Clamp system to secure terminal to battery pole

- Heavy duty vehicle use
- Cable very secure once fitted
- Easy to assemble onto battery (where applicable)

N50/N51

BATTERY TERMINAL H/D M12 POSITIVE & NEGATIVE

Features

Benefits



- For use on busses and heavy duty vehicles
- Heavy duty solid brass
- Cable size 25 - 60 mm²
- + and - terminals clearly marked
- Heavy duty design and weight to carry relevant current
- M12 setscrew secures the cable lug onto the terminal body
- Clamp system to secure terminal to battery pole

- Use on trucks and busses (MAN)
- Shape with central post for ease of cable fit
- Easy to assemble



EXTRATECH 2001 (PTY) LTD

Member of the Redman Group



DCB 450/2

PRE-PACKS OF BATTERY TERMINALS

Features

- Packed ready to use in sets of 2 terminals (1 pos and 1 neg)
- Solid brass
- Clamp type with yellow passivated bolts, nuts and screws
- Offset design plus steel strap
- Cable size 10 - 40mm²
- Fits battery poles on medium size motor vehicles
- + and - terminals clearly marked

Benefits

- For the use of standard motor vehicles
- Practical and easy to use
- Strap and screws allow for easy securing

PRE-PACKS ALSO AVAILABLE FOR:

- Heavy Duty (N28 and N29 in a pack)
- 4x4 Type (N27 and B13-20 in a pack)
- Light Duty (N16 and N17 in a pack)
- Marine Type (1 x N27 in a pack)

BCC4R/BCC4B



500 AMP Booster Clamp

BCC3R/BCC3B



120 AMP Booster Clamp

BCC1R/BCC1B



40 AMP Charging Clamp

Booster Cables / Starter Cables



Specifications:

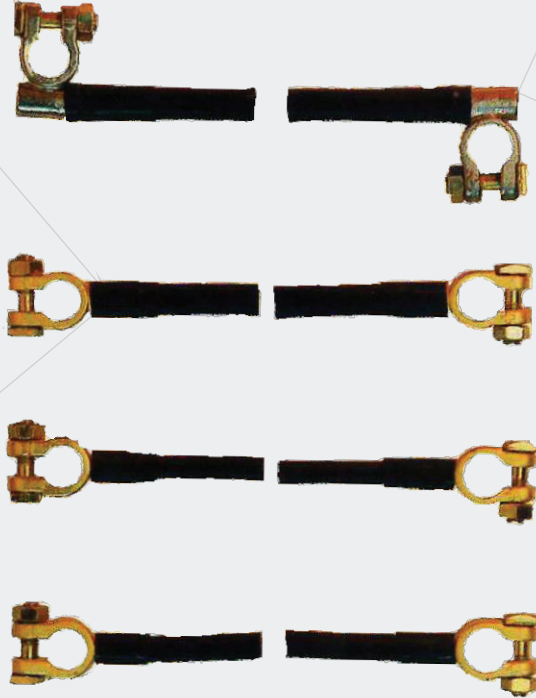
- Jumper leads for Petrol Engine (16mm² 300 Amp and 25mm 400Amp)
- Jumper Leads for Diesel Engine (35mm² 500Amp in lengths of 2 x 3.0m (+/- 50mm))

Battery Made-up Cables

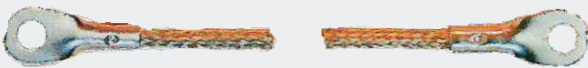
Starter to Switch Cables
Length 225mm to 1200mm
16mm², 25mm², 40mm²



Battery Connector Cables
Length 225mm to 1200mm
16mm², 25mm², 40mm²



Earthing Strap
Length 125mm to 725mm



Engine To Chassis Strap
Length 125mm to 725mm

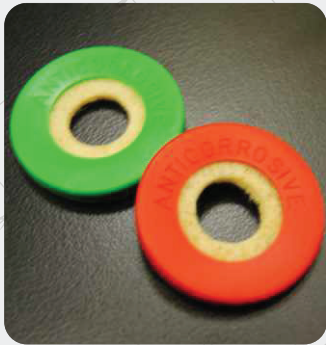


Battery to Started Cables
Length 225mm to 1800mm
16mm²; 25mm²; 40mm²



EXTRATECH 2001 (PTY) LTD

Member of the Redman Group



BATTERY WASHER

Features

- Used to provide resistance to corrosion on the battery terminals.
- For use on positive and negative terminals. Red for positive, Green for negative.



STEEL CABLE LUG 60 A

Features

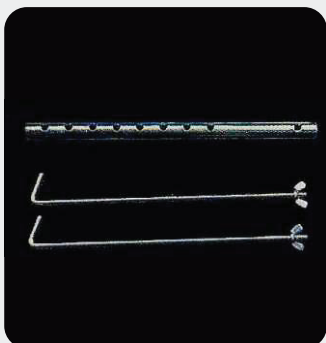
- Battery cable steel lugs used in the automotive after-market for attaching cables to pillar's in motor vehicle engines.
- Expert electrical knowledge advised for usage and applications.



STRAIGHT HOLD-DOWN KIT 410mm

Features

- Straight steel hold-down are used in conjunction with 2 x M6 J-Bolts with wing-nuts to secure motor vehicle batteries in the engine compartments.
- Hold-downs are zinc plated to limit corrosion.



STRAIGHT HOLD-DOWN KIT 310mm

Features

- Used with steel battery hold-down to secure batteries in motor vehicle engine compartment.
- J-Bolts are zinc plated to limit corrosion.



EXTRATECH 2001 (PTY) LTD

Member of the Redman Group



BATTERY J-BOLT 8mm

Features

- Used with steel battery hold-down to secure batteries in motor vehicle engine compartment.
- J-Bolts are zinc plated to limit corrosion.